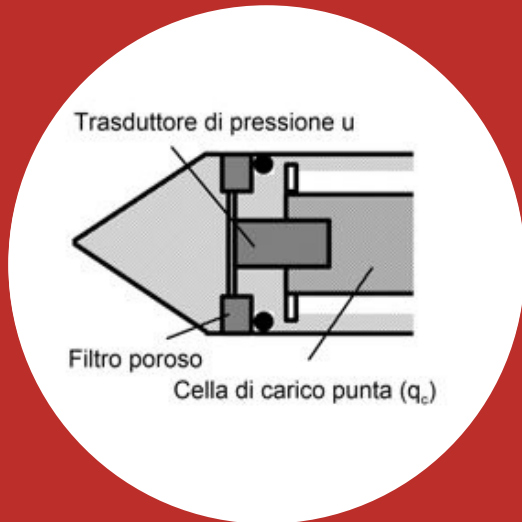


PIEZOCONE SATURATION CHECK DEVICE

ALMA MATER STUDIORUM - UNIVERSITÀ DI BOLOGNA



The invention includes the method and apparatus necessary to establish a quantitative criterion defining the saturation degree of the sensor group in a piezocone tip.

Protection: Italy, USA, UK, Sweden, Netherlands

Inventors: Guido Gottardi, irene Rocchi, Laura Tonni

INVENTION

The invention includes the method and apparatus necessary to establish a quantitative criterion defining the saturation degree of the sensor group in a piezocone tip. The invention consists of a pocket-sized equipment that can check instantaneously the saturation of the sensor group, through a proven technique, ensuring the reliability in the measurements obtained during a piezocone penetrometric test (CPTU).

The procedure can be effectively carried out both before the test, to verify a correct assembly of the tip, and at the end of the test itself, to verify eventual loss in saturation during the test, due to unsaturated strata encountered, for example, or due to gas in the soil layer.

ADVANTAGES

- Increased reliability
- Verification of the saturation degree prior and subsequent to tests
- Reduction in testing costs and time

APPLICATIONS

- Comparison between fluids and saturation methods
- Tests to guarantee data quality
- On-site tests

CONTACTS

Knowledge Transfer Office

www.unibo.it/patents

+39 051 20 80 635 - 683

kto@unibo.it



ALMA MATER STUDIORUM
UNIVERSITÀ DI BOLOGNA